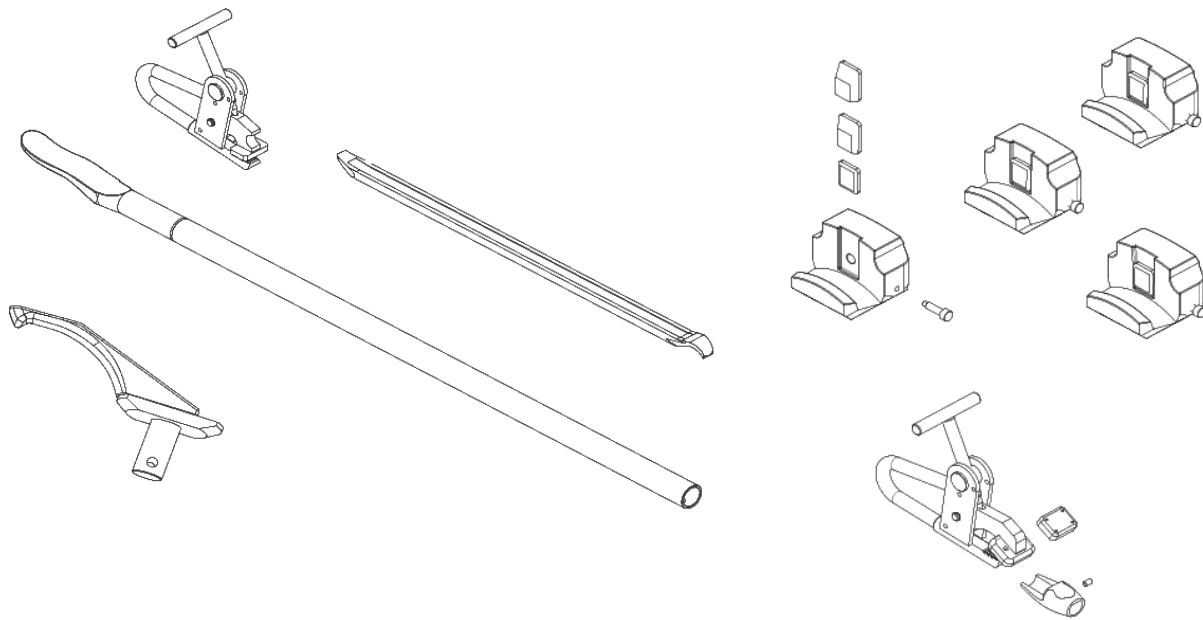




## Heavy Duty Bus & Truck Tire Changer up to 26"



# TECHNO 168 T



Technical Specification >>>

## **TECHNO 168**

Rim	14" - 26"
Wheel Width	1000 mm
Max. Wheel Diameter	1500 mm
Working Air Pressure	130 - 150 bar
Hydraulic Pump Motor	1.5kW 380V - 3 Ph 50 Hz
Gearbox Motor	1.8kW 380V - 3 Ph 50 Hz
Noise Level	<75dB