



Platform Color Type

 5010 Blue (Original)

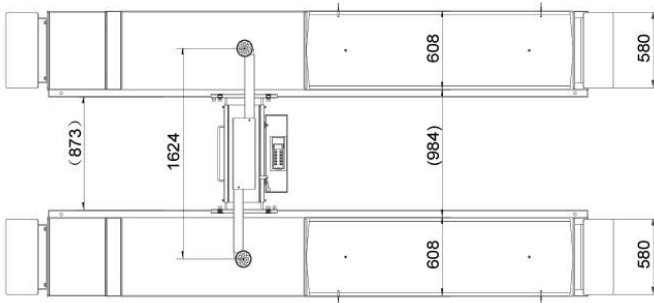
 3020 Red (special custom)

Hofmann Megaplan GmbH

Hauptstrasse 67 A-5302 Henndorf Austria

VSL 8451 P

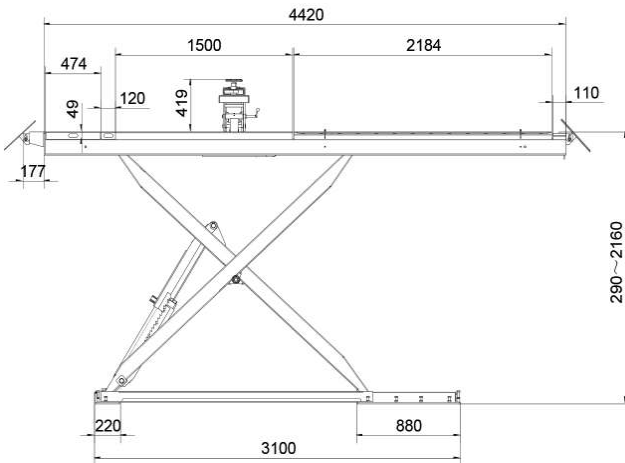
WHEEL ALIGNMENT SCISSOR LIFT 4.0 TON



Technical Specification >>>

VSL 8451 P

Lift Capacity	4000 kg
Jack capacity	2500 kg
Max. lifting height	2160 mm
Min. lowered height	290 mm
Jack raised height	419 mm
Runway length	4420 mm
Lifting time	60s
Electric power	400V/230V
Weight	2310 kg



FEATURE

- Homologated and certified according to European Directive En 1493:2010
- Suitable for in-ground installation
- Mechanical locks with automatic engagement and release
- Turntable recess covers included as standard
- One jacking beam included as standard
- Long rear slipping plates
- Pressure overload valve equipped in power unit
- 24V safety control
- Manual emergency lowering