



**Platform Color Type**

 5010 Blue (Original)

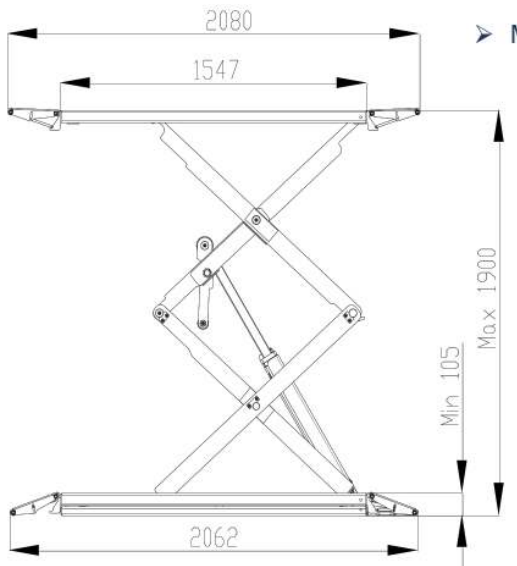
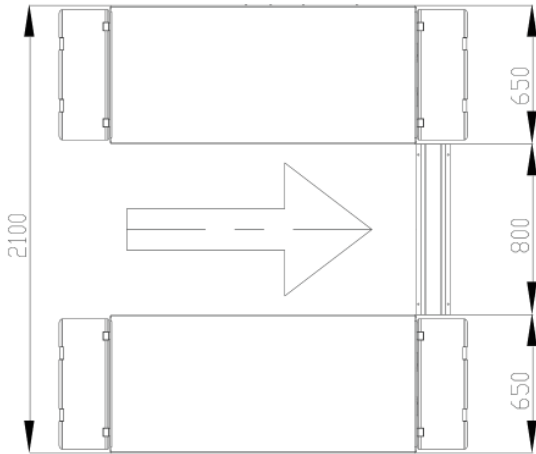
 3020 Red (special custom)

**Hofmann Megaplan GmbH**

Hauptstrasse 67 A-5302 Henndorf Austria

# VDL 2135 L

## LOW PROFILE DOUBLE SCISSOR LIFT 3.5 Ton



Technical Specification >>>

### VDL 2135 L

Lifting Capacity	3500 kg
Max. Lifting Height	1900 mm
Min. Height	105 mm
Length Platform	1547 - 2080 mm
Lifting Time	60s
Electric power	380V 3Ph 50Hz
Motor power	2.2KW/2.6KW
Weight	1060 kg

### FEATURE

- Homologated and certified according to European Directive En 1493:2010
- Low-profile structure suitable for on-ground installation
- Double master/slave hydraulic circuits assure perfect synchronization.
- Mechanical locks with automatic engagement and pneumatic release
- Automatic leveling by simply pushing a bleeding button
- Pressure overload valve is equipped in power unit
- 24V safety control
- Alarming during final lowering phase
- Manual emergency lowering