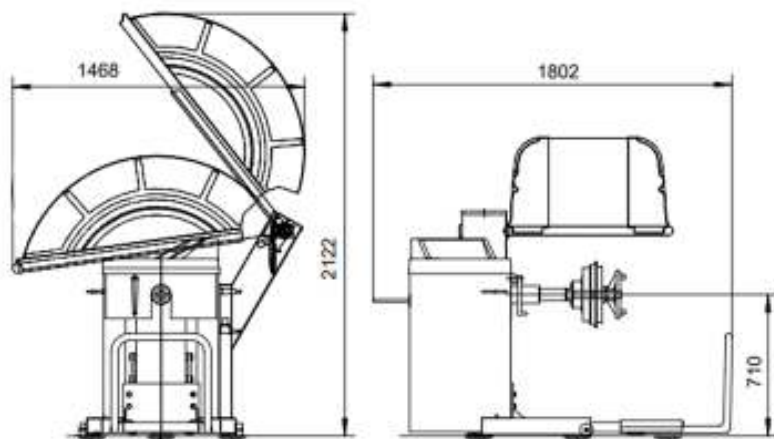




Hofmann Megaplan GmbH
Hauptstrasse 67 A-5302 Henndorf Austria

MEGASPIN ms550

Light Truck & Bus Digital Wheel Balancer



Options

SR 215/2 41FF67879

To center wheel with 8 holes on 275/285,75 mm O and with 10 hole on 225/285,75/335 mm



Standard Accessories



Cone IV-V + GG disc 41FF43821

To centre truck or bus wheel with a central hole of 202/221/281 mm O by means of cones. Made up of two cones and a spacer.



250 kg



100 rpm/
70 rpm



1300 mm



+ 1g (car)
/10g (truck)



1,5" - 20"



<20 Sec



10" - 28"



115 - 230 V
/ 50/60Hz/
1 Ph



8 - 10 bar



300 kg