



Heavy Duty OTR (Off The Road),  
Truck & Bus Tire Changer up to 56" Rims

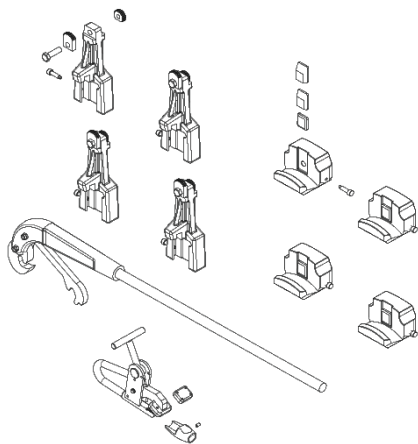
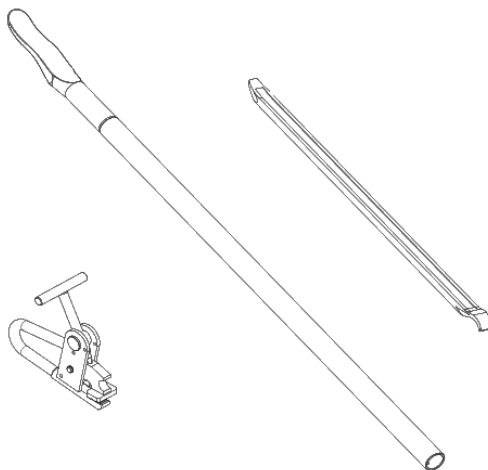


**Hofmann Megaplan GmbH**

Hauptstrasse 67 A-5302 Henndorf Austria

# MEGAMOUNT M752

## STANDARD ACCESSORIES



### Technical Specification >>>

### M752

Rim From	14" - 56"
Max. Wheel Weight	1500 kg
Max. Wheel diameter	2300 mm (90 <sup>1/2</sup> "
Max. Wheel Width	1065 mm (42")
Hydraulic unit motor power	1.1 kw/380V 3ph
Chuck motor power	1.3/1.8 kw/380V 3ph
Operating pressure	0 - 130 bar
Bead Breaker force	3674 kg
Packing dimension	2020L x 1700W x 1020 H
Gross weight	816 kg

