



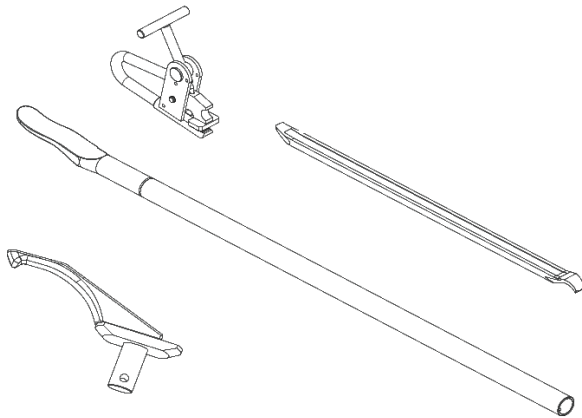
# Heavy Duty Bus & Truck Tire Changer up to 27'



**Hofmann Megaplan GmbH**

Hauptstrasse 67 A-5302 Henndorf Austria

# MEGAMOUNT M352



## Technical Specification >>>

## **M352**

Rim From	13" - 27"
Max. Wheel Weight	1500 kg
Max. Wheel diameter	1600 mm (63")
Max. Wheel Width	780 mm (30 <sup>1</sup> / <sub>2</sub> ")
Hydraulic unit motor power	1.5 kw/380V
Chuck motor power	1.3/1.8 kw/380V 3ph
Operating pessure	0 - 130 bar
Bead Breaker force	2550 kg
Packing dimension	1500L x 1600W x 1050H
Gross weight	605 kg

